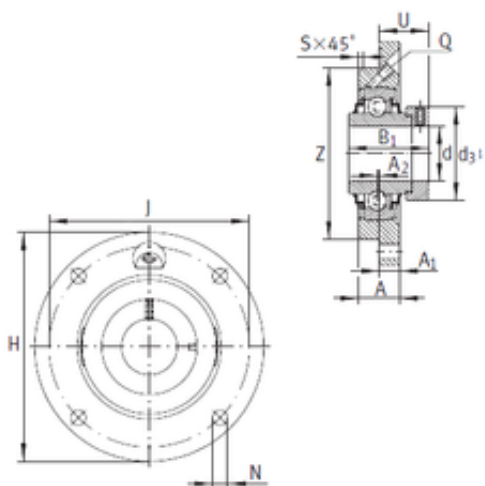




Miether Bearing Making LIMITED

INA RME90 Flange-Mount Housings

Bearing No. RME90



RME90 Bearing 2D drawings and 3D CAD models

Bore Diameter	90 mm
d	90 mm
U	50,5 mm
Thread (Q)	Rp1/8
Z	190 mm
d3	118 mm
A	32 mm
A1	20 mm
B1	69,5 mm
H	265 mm
J	220 mm
N	23 mm
S	3 mm
A2	4 mm
Weight	8,5 Kg
Basic dynamic load rating (C)	96 kN
Category	Flange Block Bearings
Inventory	0.0
Manufacturer Name	SCHAEFFLER GROUP
Minimum Buy Quantity	N/A
Weight / Kilogram	10.562
EAN	4012802795103
Product Group	M06110
Number of Mounting Holes	4
Mounting Method	Eccentric Collar
Housing Style	4 Bolt Round Flange



Miether Bearing Making LIMITED

	Cartridge
Rolling Element	Ball Bearing
Housing Material	Cast Iron
Expansion / Non-expansion	Non-expansion
Mounting Bolts	23 Millimeter
Relubricatable	Yes
Insert Part Number	GE90KRRB
Seals	Double Land Riding Rubber Contact
Housing Configuration	1 Piece Solid
Pilot Configuration	With Pilot
Inch - Metric	Metric
Long Description	4 Bolt Round Flange Cartridge; 90MM Bore; 220MM Bolt Circle; 154.9MM Bolt Spacing; 1 Piece Solid; Eccentric Collar Mount; Cast Iron; Ball Bearing; 69.5MM Length Thru Bore; Relubricatable; Double Land
Other Features	Single Row Centering Spigot With Set Screw
Category	Flange Block
UNSPSC	31171501
Harmonized Tariff Code	8483.20.40.40
Noun	Bearing
Keyword String	Flanged
Manufacturer URL	http://www.ina.com
Manufacturer Item Number	RME90
Weight / LBS	18.739
Length Thru Bore	2.736 Inch 69.5 Millimeter
Bore	3.543 Inch 90 Millimeter
Bolt Spacing	6.1 Inch 154.9 Millimeter
Cartridge Pilot Depth	0.315 Inch 8 Millimeter



Miether Bearing Making LIMITED

Cartridge Pilot Diameter	7.48 Inch 190 Millimeter
Nominal Bolt Circle Diameter Round	8.7 Inch 220 Millimeter