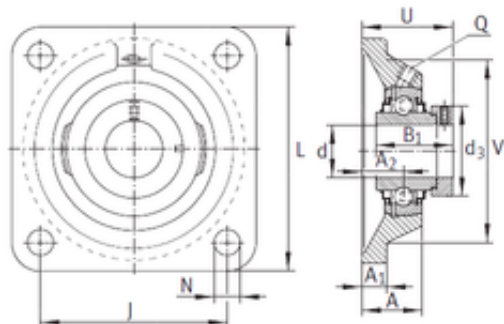




# Miether Bearing Making LIMITED

## INA RCJ30-N Flange-Mount Housings



Bearing No. RCJ30-N

Bore Diameter	30 mm
d	30 mm
V	85 mm
U	50,2 mm
Thread (Q)	Rp1/8
d3	44 mm
A	29 mm
A1	12 mm
B1	48,5 mm
J	82,5 mm
L	108 mm
N	11,5 mm
A2	20 mm
Weight	1,16 Kg
Basic dynamic load rating (C)	19,5 kN
Category	Flange Block Bearings
Inventory	0.0
Manufacturer Name	SCHAEFFLER GROUP
Minimum Buy Quantity	N/A
Weight / Kilogram	1.389
EAN	4012802839166
Product Group	M06110
Number of Mounting Holes	4
Mounting Method	Eccentric Collar
Housing Style	4 Bolt Square Flange Block
Rolling Element	Ball Bearing

RCJ30-N Bearing 2D drawings and 3D CAD models



## Miether Bearing Making LIMITED

Housing Material	Cast Iron
Expansion / Non-expansion	Non-expansion
Mounting Bolts	11.5 Millimeter
Relubricatable	Yes
Insert Part Number	GE30KRRB
Seals	Double Land Riding Rubber Contact
Housing Configuration	1 Piece Solid
Pilot Configuration	No Pilot
Inch - Metric	Metric
Long Description	4 Bolt Square Flange Block; 30MM Bore; 117MM Bolt Circle; 82.5MM Bolt Spacing; 1 Piece Solid; Eccentric Collar Mount; Cast Iron; Ball Bearing; 48.42MM Length Thru Bore; Relubricatable; Double Land Rid
Other Features	Single Row   End Cap   With Set Screw
Category	Flange Block
UNSPSC	31171501
Harmonized Tariff Code	8483.20.40.40
Noun	Bearing
Keyword String	Flanged
Manufacturer URL	<a href="http://www.ina.com">http://www.ina.com</a>
Manufacturer Item Number	RCJ30N
Weight / LBS	2.867
Cartridge Pilot Diameter	0 Inch   0 Millimeter
Bolt Spacing	3.248 Inch   82.5 Millimeter
Length Thru Bore	1.906 Inch   48.42 Millimeter
Nominal Bolt Circle Diameter Round	4.6 Inch   117 Millimeter
Cartridge Pilot Depth	0 Inch   0 Millimeter



# Miether Bearing Making LIMITED

Bore

1.181 Inch | 30 Millimeter