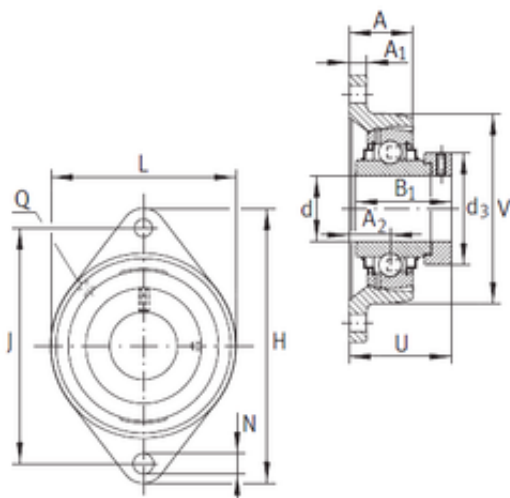




Miether Bearing Making LIMITED

INA RCJT20-N Flange-Mount Housings



Bearing No. RCJT20-N

Bore Diameter	20 mm
d	20 mm
V	61 mm
U	45,6 mm
Thread (Q)	Rp1/8
d3	33 mm
A	28 mm
A1	10 mm
B1	43,7 mm
H	112 mm
J	90 mm
L	61 mm
N	11,5 mm
A2	19 mm
Weight	0,52 Kg
Basic dynamic load rating (C)	12,8 kN
Category	Flange Block Bearings
Inventory	0.0
Manufacturer Name	SCHAEFFLER GROUP
Minimum Buy Quantity	N/A
Weight / Kilogram	0.623
EAN	4012802836936
Product Group	M06110
Number of Mounting Holes	2
Mounting Method	Eccentric Collar
Housing Style	2 Bolt Flange Block

RCJT20-N Bearing 2D drawings and 3D CAD models



Miether Bearing Making LIMITED

Rolling Element	Ball Bearing
Housing Material	Cast Iron
Expansion / Non-expansion	Non-expansion
Mounting Bolts	11.5 Millimeter
Relubricatable	Yes
Insert Part Number	GE20KRRB
Seals	Double Land Riding Rubber Contact
Housing Configuration	1 Piece Solid
Pilot Configuration	No Pilot
Inch - Metric	Metric
Long Description	2 Bolt Flange Block; 20MM Bore; 90MM Bolt Circle; 90MM Bolt Spacing; 1 Piece Solid; Eccentric Collar Mount; Cast Iron; Ball Bearing; 43.7MM Length Thru Bore; Relubricatable; Double Land Riding Rubber
Other Features	Single Row End Cap With Set Screw
Category	Flange Block
UNSPSC	31171501
Harmonized Tariff Code	8483.20.40.40
Noun	Bearing
Keyword String	Flanged
Manufacturer URL	http://www.ina.com
Manufacturer Item Number	RCJT20N
Weight / LBS	1.103
Cartridge Pilot Depth	0 Inch 0 Millimeter
Length Thru Bore	1.72 Inch 43.7 Millimeter
Bore	0.787 Inch 20 Millimeter
Nominal Bolt Circle Diameter Round	3.5 Inch 90 Millimeter



Miether Bearing Making LIMITED

Cartridge Pilot Diameter	0 Inch 0 Millimeter
Bolt Spacing	3.543 Inch 90 Millimeter