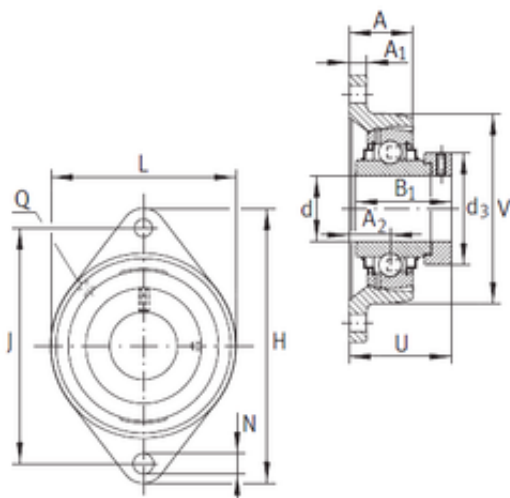




Miether Bearing Making LIMITED

INA RCJT30-N Flange-Mount Housings



Bearing No. RCJT30-N

Bore Diameter	30 mm
d	30 mm
V	80 mm
U	50,2 mm
Thread (Q)	Rp1/8
d3	44 mm
A	29 mm
A1	12 mm
B1	48,5 mm
H	142 mm
J	116,5 mm
L	80 mm
N	11,5 mm
A2	20 mm
Weight	0,88 Kg
Basic dynamic load rating (C)	19,5 kN
Category	Flange Block Bearings
Inventory	0.0
Manufacturer Name	SCHAEFFLER GROUP
Minimum Buy Quantity	N/A
Weight / Kilogram	1.054
EAN	4012802836844
Product Group	M06110
Number of Mounting Holes	2
Mounting Method	Eccentric Collar
Housing Style	2 Bolt Flange Block

RCJT30-N Bearing 2D drawings and 3D CAD models



Miether Bearing Making LIMITED

Rolling Element	Ball Bearing
Housing Material	Cast Iron
Expansion / Non-expansion	Non-expansion
Mounting Bolts	11.5 Millimeter
Relubricatable	Yes
Insert Part Number	GE30KRRB
Seals	Double Land Riding Rubber Contact
Housing Configuration	1 Piece Solid
Pilot Configuration	No Pilot
Inch - Metric	Metric
Long Description	2 Bolt Flange Block; 30MM Bore; 117MM Bolt Circle; 116.5MM Bolt Spacing; 1 Piece Solid; Eccentric Collar Mount; Cast Iron; Ball Bearing; 48.42MM Length Thru Bore; Relubricatable; Double Land Riding Ru
Other Features	Single Row End Cap With Set Screw
Category	Flange Block
UNSPSC	31171501
Harmonized Tariff Code	8483.20.40.40
Noun	Bearing
Keyword String	Flanged
Manufacturer URL	http://www.ina.com
Manufacturer Item Number	RCJT30N
Weight / LBS	2.205
Cartridge Pilot Depth	0 Inch 0 Millimeter
Length Thru Bore	1.906 Inch 48.42 Millimeter
Bolt Spacing	4.587 Inch 116.5 Millimeter
Bore	1.181 Inch 30 Millimeter



Miether Bearing Making LIMITED

Nominal Bolt Circle Diameter Round	4.6 Inch 117 Millimeter
Cartridge Pilot Diameter	0 Inch 0 Millimeter