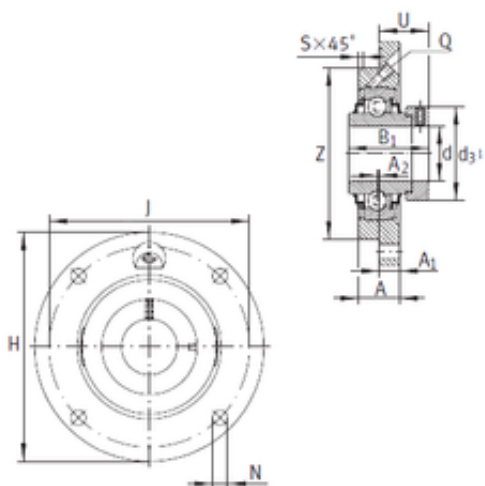




Miether Bearing Making LIMITED

INA RME80 Flange-Mount Housings

Bearing No. RME80



RME80 Bearing 2D drawings and 3D CAD models

Bore Diameter	80 mm
d	80 mm
U	49,3 mm
Thread (Q)	Rp1/8
Z	160 mm
d3	108 mm
A	31 mm
A1	18 mm
B1	70,7 mm
H	220 mm
J	184 mm
N	18 mm
S	6 mm
A2	2 mm
Weight	5,75 Kg
Basic dynamic load rating (C)	72 kN
Category	Flange Block Bearings
Inventory	0.0
Manufacturer Name	SCHAEFFLER GROUP
Minimum Buy Quantity	N/A
Weight / Kilogram	6.892
EAN	4012802067521
Product Group	M06110
Number of Mounting Holes	4
Mounting Method	Eccentric Collar
Housing Style	4 Bolt Round Flange



Miether Bearing Making LIMITED

	Cartridge
Rolling Element	Ball Bearing
Housing Material	Cast Iron
Expansion / Non-expansion	Non-expansion
Mounting Bolts	18 Millimeter
Relubricatable	Yes
Insert Part Number	GE80KRRB
Seals	Double Land Riding Rubber Contact
Housing Configuration	1 Piece Solid
Pilot Configuration	With Pilot
Inch - Metric	Metric
Long Description	4 Bolt Round Flange Cartridge; 80MM Bore; 184MM Bolt Circle; 130.1MM Bolt Spacing; 1 Piece Solid; Eccentric Collar Mount; Cast Iron; Ball Bearing; 71MM Length Thru Bore; Relubricatable; Double Land Ri
Other Features	Single Row Centering Spigot With Set Screw
Category	Flange Block
UNSPSC	31171501
Harmonized Tariff Code	8483.20.40.40
Noun	Bearing
Keyword String	Flanged
Manufacturer URL	http://www.ina.com
Manufacturer Item Number	RME80
Weight / LBS	12.679
Cartridge Pilot Diameter	6.299 Inch 160 Millimeter
Bore	3.15 Inch 80 Millimeter
Bolt Spacing	5.122 Inch 130.1 Millimeter
Nominal Bolt Circle	7.2 Inch 184 Millimeter



Miether Bearing Making LIMITED

Diameter Round	
Cartridge Pilot Depth	0.591 Inch 15 Millimeter
Length Thru Bore	2.795 Inch 71 Millimeter